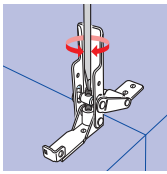


**NEW**  
From  
**PROTEX®**

[www.protex.com](http://www.protex.com)

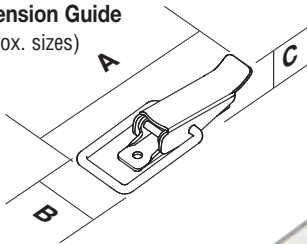


# Light Duty ADJUSTABLE & SPRING TOLERANCE FASTENERS



Part Number	Finish Weight	Material		Ultimate Strength (kg)	Diameter of fixing holes	Safety catch version	Padlock version	Max adjustment (mm)	Dimensions (mm) (approx. sizes)			Optional sealing pins	Recommended catchplate
		MS	SS						A	B	C		
<b>50-1535</b>	Kg	Zn	Sf	240 (MS)	4.1	✗	✗	10	78 (max)	15	15	✗	01-535, 02-535 03-535, 07-535
		0.041	0.041	310 (SS)									
<b>55-1548</b>	Kg	Zn	Sf	240 (MS)	4.1	✗	✗	✗	67	15	15	✗	01-535, 02-535 03-535, 07-535
		0.043	0.043	310 (SS)									
<b>200-5000</b>	Kg	Zn/Yp	Sf	160 (MS)	4.1	✗	✗	10	79	30	20	✗	01-5000, 02-633
		0.063	0.063	90 (SS)									
<b>201-5000</b>	Kg	Zn/Yp	Sf	160 (MS)	4.1	✓	✗	10	79	31	20	✗	01-5000, 02-633
		0.063	0.063	90 (SS)									

Dimension Guide  
(approx. sizes)



To view dimensional drawings or to download CAD files visit [www.protex.com](http://www.protex.com)



**50-1535**



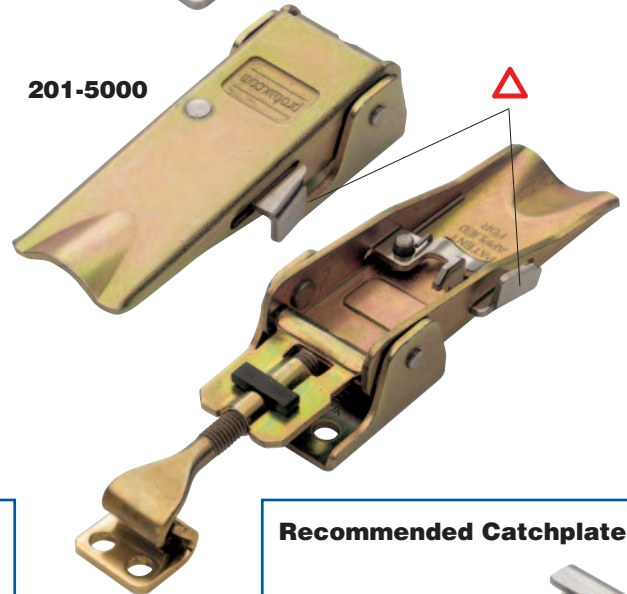
**200-5000**



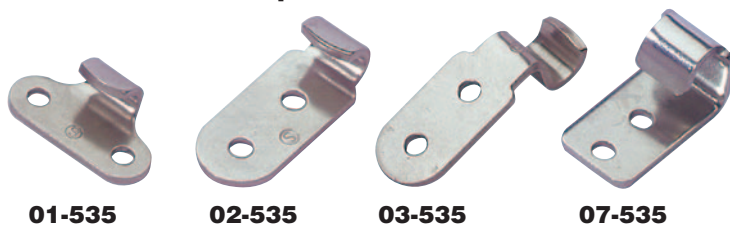
**55-1548**



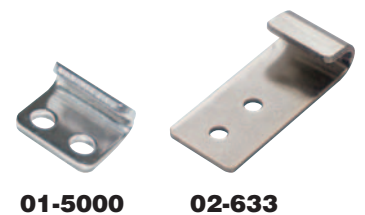
**201-5000**



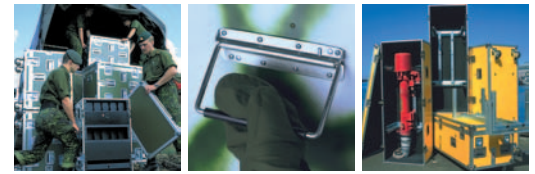
**Recommended Catchplates**



**Recommended Catchplates**



# HANDLES

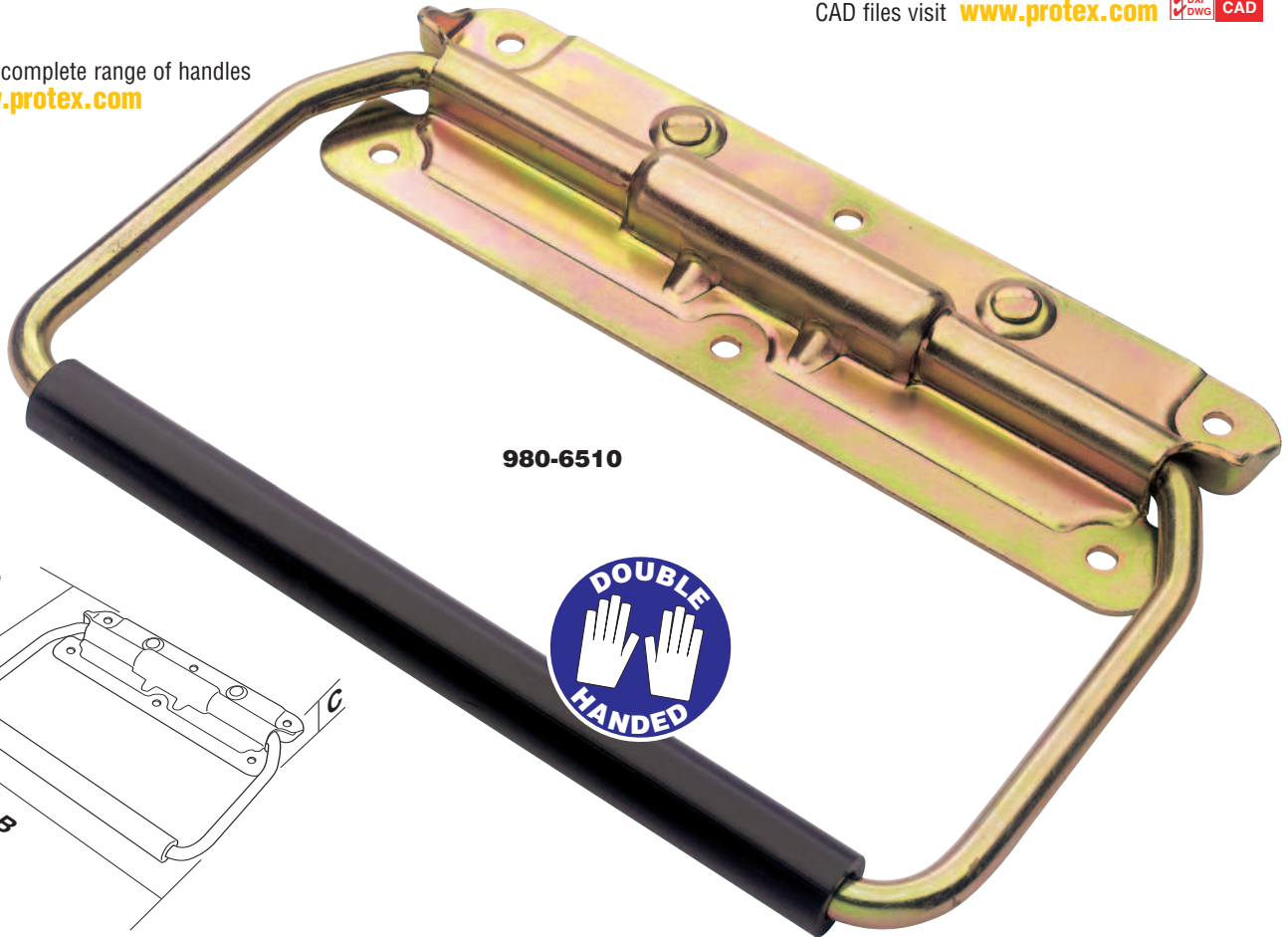


Part Number	Finish Weight	Material		Ultimate Strength (kg)	Diameter of fixing holes	Safety catch version	Padlock version	Max adjustment (mm)	Dimensions (mm) (approx. sizes)			Optional sealing pins	Recommended catchplate
		MS	SS						A	B	C		
<b>980-6510</b>		Zn/Yp	✗	200	5.1	✗	✗	✗	150	210	17	✗	✗
		0.535	✗										

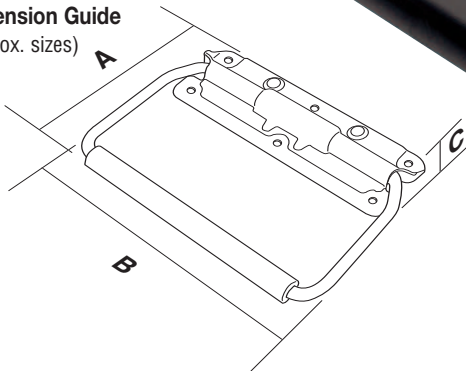
To view dimensional drawings or to download CAD files visit [www.protex.com](http://www.protex.com)



For details of our complete range of handles please visit [www.protex.com](http://www.protex.com)



Dimension Guide (approx. sizes)



## KEY TO ABBREVIATIONS

### LEGENDE DES ABBREVIATIONS    SCHLÜSSEL ZU DEN ABKÜRZUNGEN

	<b>Safety catch version.</b> Version à fermoir de sécurité. <i>Sperrklinkenausführung.</i>		<b>MATERIAL</b> - Matériau - <i>Werkstoff</i>
	<b>Padlock version.</b> Version à cadenas. <i>Version mit Vorhängeschloß.</i>	<b>MS</b>	<b>Mild Steel</b> - Acier doux - <i>Flußstahl</i>
	<b>Weight (kg).</b> Poids (kg). <i>Gewicht (kg).</i>	<b>SS</b>	<b>Stainless Steel</b> - Acier inoxydable - <i>Rostfreier Stahl</i>
	<b>Ultimate strength (KgF) or Spring loading at extension shown (mm) with recommended catchplate (where applicable)</b> Charge de rupture (KgF) ou charge du ressort à l'extension indiquée (mm) avec la plaque d'attache recommandée (le cas échéant) <i>Dehngrenze (KgF) oder Federbelastung bei gezeigter Verlängerung (mm) mit empfohlenem Schließhaken (wo zutreffend)</i>		<b>FINISH</b> - Finition - <i>Oberflächenbehandlung</i>
	<b>Diameter of fixing holes (mm)</b> Diamètre des trous de fixation (mm) <i>Durchmesser der Befestigungslöcher (mm)</i>	<b>Zn</b>	<b>Zinc Plate Passivate (silver/grey)</b> Zingué passivé (argent/gris) <i>Durch Verzinken passiviert (silber/grau)</i>
<b>NH</b>	<b>No holes</b> - Sans trou - <i>Ohne Löcher</i>	<b>Zn/Yp</b>	<b>Zinc Plate Passivate (yellow/iridescent)</b> Zingué passivé (jaune/irisé) <i>Durch Verzinken passiviert (gelb/irisierend)</i>
	<b>Recommended catchplate.</b> Plaque d'attache recommandée. <i>Empfohlener Schließhake</i>	<b>Sf</b>	<b>Natural</b> - Naturel - <i>Naturfarbe</i>

Whilst all reasonable efforts are made to ensure the correctness of the information provided, we cannot be held responsible for any inaccuracies in, or omissions from, this brochure.

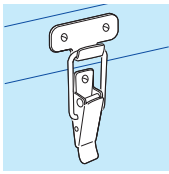
Bien que nous nous soyons efforcés de veiller à l'exactitude des informations portées dans la présente documentation, nous déclinons toute responsabilité au cas où certaines imprécisions ou omissions s'y seraient glissées.

Obwohl der Abfassung dieser Druckschrift jede Sorgfalt gewidmet wurde, übernehmen wir keinerlei Garantie für Irrtümer oder Ungenauigkeiten.

© PROTEX FASTENERS LTD



For more detailed information and to download CAD drawings, please visit [www.protex.com](http://www.protex.com)

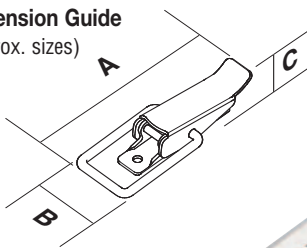


# Medium Duty RIGID FASTENERS



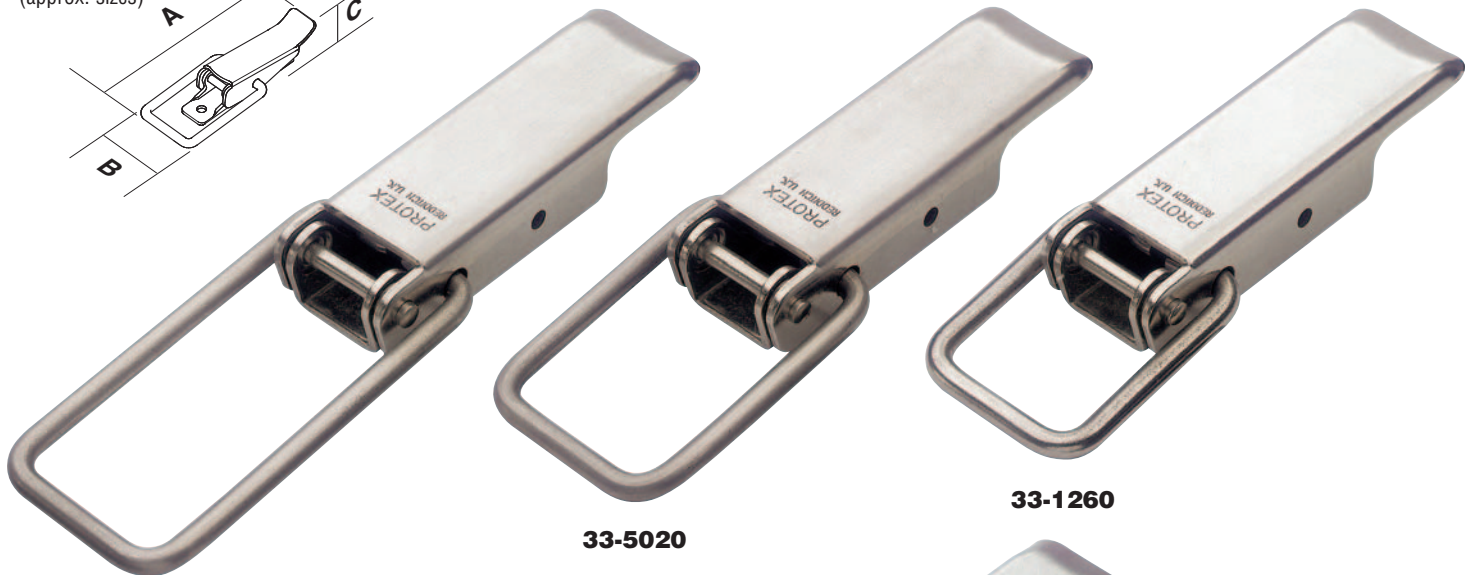
Part Number	Finish Weight	Material		Ultimate Strength (kg)	Diameter of fixing holes	Safety catch version	Padlock version	Max adjustment (mm)	Dimensions (mm) (approx. sizes)			Optional sealing pins	Recommended catchplate
		MS	SS						A	B	C		
<b>33-1260</b>		Zn	Sf	440	5.1	✗	✗	✗	113	38	17	1167/7 1167/9	01-502, 02-502, 03-503
		0.109	0.107										
<b>33-5020</b>		Zn	Sf	440	5.1	✗	✗	✗	125	38	17	1167/7 1167/9	01-502, 02-502, 03-503
		0.111	0.109										
<b>33-5880</b>		Zn	Sf	440	5.1	✗	✗	✗	146	38	17	1167/7 1167/9	01-502, 02-502, 03-503
		0.117	0.115										
<b>38-1260</b>		Zn	Sf	440	5.1	✓	✗	✗	113	38	18	1167/7 1167/9	01-502, 02-502, 03-503
		0.114	0.112										
<b>39-1260</b>		Zn	Sf	440	5.1	✓*	✗	✗	113	38	20	1167/7 1167/9	01-502, 02-502, 03-503
		0.114	0.112										

Dimension Guide  
(approx. sizes)



\* Tool Operated

To view dimensional drawings or to download CAD files visit [www.protex.com](http://www.protex.com)



**33-5880**

**33-5020**

**33-1260**



**38-1260**

**39-1260**

## Recommended Catchplates

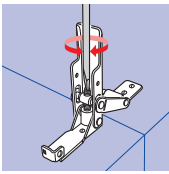


**01-502**

**03-502**

**02-502**

Protex **TOOLATCH**



# Heavy Duty ADJUSTABLE FASTENERS

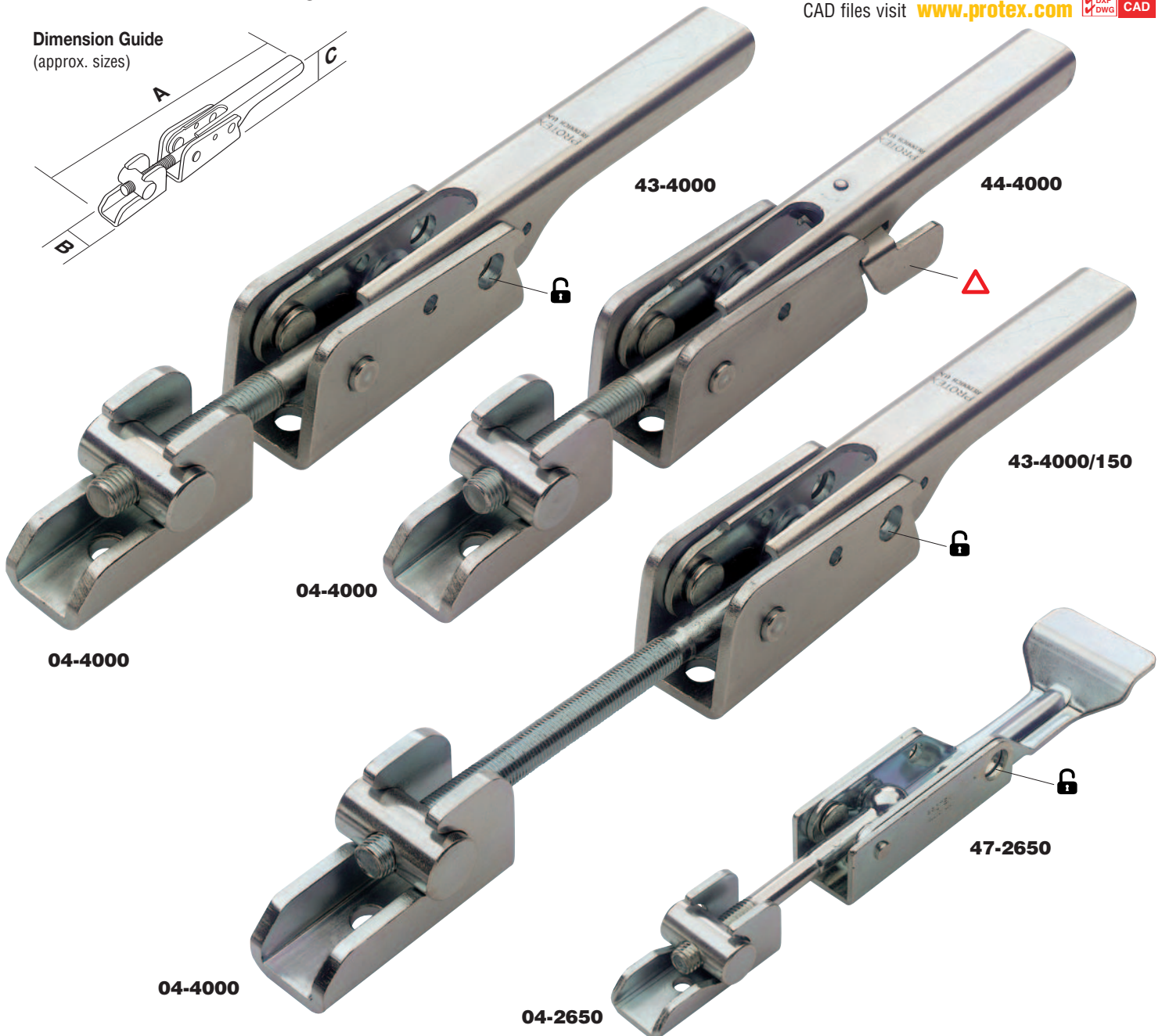
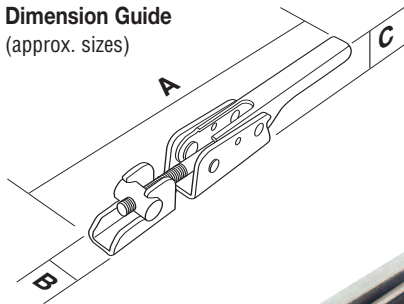


Part Number	Finish Weight	Material		Ultimate Strength (kg)	Diameter of fixing holes	Safety catch version	Padlock version	Max adjustment (mm)	Dimensions (mm) (approx. sizes)			Optional sealing pins 1167/7 1167/9	Recommended catchplate
		MS	SS						A	B	C		
<b>43-4000</b>		Zn	○	2000	8.1	✘	✔	20	256 (max) (Dimension A includes catchplate)	35	37	1167/7 1167/9	04-4000
		0.402	○										
<b>43-4000/150</b>		Zn	○	2000	8.1	✘	✔	50	305 (max) (Dimension A includes catchplate)	35	37	1167/7 1167/9	04-4000
		0.492	○										
<b>44-4000</b>		Zn	○	2000	8.1	✔	✘	20	256 (max) (Dimension A includes catchplate)	38	37	✘	04-4000
		0.495	○										
<b>44-4000/150</b>		Zn	○	2000	8.1	✔	✘	50	305 (max) (Dimension A includes catchplate)	38	37	✘	04-4000
		0.525	○										
<b>47-2650</b>		Zn	✘	1000	5.1	✘	✔	20	207 (max) (Dimension A includes catchplate)	40	22	1167/7 1167/9	04-2650
		0.207	✘										

○ = Available summer 2005

To view dimensional drawings or to download CAD files visit [www.protex.com](http://www.protex.com)

Dimension Guide  
(approx. sizes)



# Quick-Action Adjustable Bandclamps

## PLATFORM BANDCLAMPS

### ADJUSTABLE FASTENER

Part Number	Material SS	Ultimate Strength (kg)	Diameter of band ∅	Safety catch version △
<b>61-1750 PBC SS 024-027</b>	Sf	450	24mm - 27mm	✓
<b>61-1750 PBC SS 026-029</b>	Sf	450	26mm - 29mm	✓
<b>61-1750 PBC SS 028-031</b>	Sf	450	28mm - 31mm	✓
<b>61-1750 PBC SS 030-033</b>	Sf	450	30mm - 33mm	✓
<b>61-1750 PBC SS 032-035</b>	Sf	450	32mm - 35mm	✓
<b>61-1750 PBC SS 034-037</b>	Sf	450	34mm - 37mm	✓
<b>61-1750 PBC SS 036-039</b>	Sf	450	36mm - 39mm	✓
<b>61-1750 PBC SS 038-041</b>	Sf	450	38mm - 41mm	✓
<b>61-1750 PBC SS 040-043</b>	Sf	450	40mm - 43mm	✓
<b>61-1750 PBC SS 042-045</b>	Sf	450	42mm - 45mm	✓

### STANDARD HI-TORQUE WORMDRIVE BANDCLAMPS

Part Number	Material SS	Ultimate Strength (kg)	Diameter of band ∅	Safety catch version △
<b>58 PBC-HT 045-055 SS</b>	Sf	450	45mm - 55mm	✓
<b>58 PBC-HT 055-065 SS</b>	Sf	450	55mm - 65mm	✓
<b>58 PBC-HT 065-090 SS</b>	Sf	450	65mm - 90mm	✓
<b>58 PBC-HT 085-115 SS</b>	Sf	450	85mm - 115mm	✓
<b>58 PBC-HT 110-155 SS</b>	Sf	450	110mm - 155mm	✓
<b>58 PBC-HT 150-195 SS</b>	Sf	450	150mm - 195mm	✓



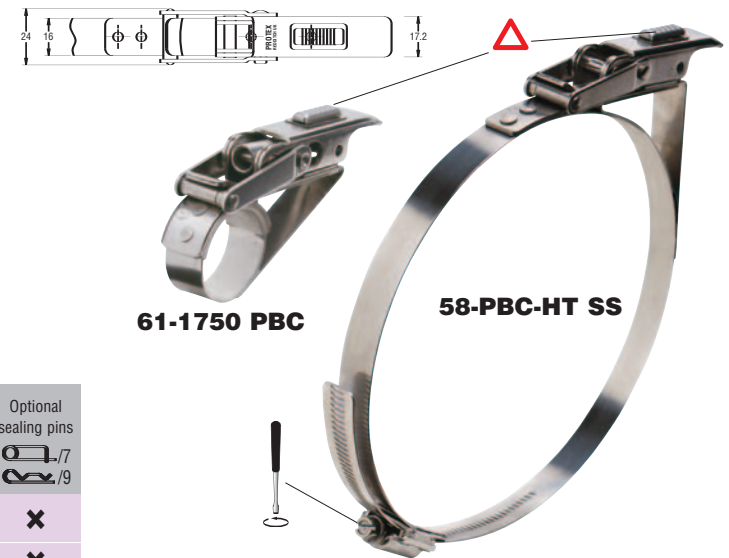
## HI-GRIP WORMDRIVE BANDCLAMPS

### STANDARD HI-GRIP SPRING-CLAW TYPE

Part Number	Material MS	Ultimate Strength (kg)	Diameter of band ∅	Safety catch version △	Optional sealing pins 613/7 613/9
<b>27SPG-HGR 070-115 ZN</b>	Zn	40	70mm - 115mm	✗	✗
<b>27SPG-HGR 090-135 ZN</b>	Zn	40	90mm - 135mm	✗	✗
<b>27SPG-HGR 130-175 ZN</b>	Zn	40	130mm - 175mm	✗	✗
<b>27SPG-HGR 170-215 ZN</b>	Zn	40	170mm - 215mm	✗	613/7 613/9
<b>27SPG-HGR 210-255 ZN</b>	Zn	40	210mm - 255mm	✗	613/7 613/9
<b>27SPG-HGR 250-295 ZN</b>	Zn	40	250mm - 295mm	✗	613/7 613/9
<b>27SPG-HGR 290-335 ZN</b>	Zn	40	290mm - 335mm	✗	613/7 613/9
<b>27SPG-HGR 330-375 ZN</b>	Zn	40	330mm - 375mm	✗	613/7 613/9

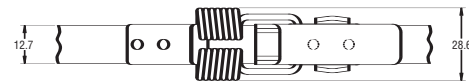
### STANDARD HI-GRIP RIGID TYPE

<b>27-HGR 070-115 ZN</b>	Zn	150	70mm - 115mm	✗	✗
<b>27-HGR 090-135 ZN</b>	Zn	150	90mm - 135mm	✗	✗
<b>27-HGR 130-175 ZN</b>	Zn	150	130mm - 175mm	✗	✗
<b>27-HGR 170-215 ZN</b>	Zn	150	170mm - 215mm	✗	613/7 613/9
<b>27-HGR 210-255 ZN</b>	Zn	150	210mm - 255mm	✗	613/7 613/9
<b>27-HGR 250-295 ZN</b>	Zn	150	250mm - 295mm	✗	613/7 613/9
<b>27-HGR 290-335 ZN</b>	Zn	150	290mm - 335mm	✗	613/7 613/9
<b>27-HGR 330-375 ZN</b>	Zn	150	330mm - 375mm	✗	613/7 613/9



61-1750 PBC

58-PBC-HT SS



27-HGR ZN

27SPG-HGR ZN

To view dimensional drawings or to download CAD files visit [www.protex.com](http://www.protex.com)



**Protex Fasteners Ltd.**  
Arrow Road, Redditch,  
Worcestershire B98 8PA U.K.  
Telephone: +44 (0)1527 63231  
Fax: +44 (0)1527 66770  
e-mail: [sales@protex.com](mailto:sales@protex.com)  
Internet: [www.protex.com](http://www.protex.com)



**Protex Verschluss-technik**  
Münsterplatz 5  
D-53111 Bonn, Germany  
Telefon: +49 (0) 2 28-35 80-57  
Telefax: +49 (0) 2 28-35 64 84  
e-mail: [protex@dr-windel.de](mailto:protex@dr-windel.de)  
Internet: [www.protex.com](http://www.protex.com)



**Protex Latches**  
34 Benton Place, St Louis,  
Missouri, MO 63104  
Phone: +001 (314) 436-0080  
Fax: +001 (314) 436-0481  
e-mail: [terry.barber@protex.com](mailto:terry.barber@protex.com)  
Internet: [www.protex.com](http://www.protex.com)